

LATO

Automations for sectional doors, folding doors and industrial sliding doors



NET230N 230V a.c. operators with control board, limit switches and encoder

COD.	Art.	EN	EN	DEA	Ø	EN COD ER	OTHER CHARACTERISTICS
637050	LATO220NET	EN 12453 IN COMPLIANCE WITH STANDARDS EN 12445	• •	NET230N	For shafts with Ø 25mm	•	- Limit switches - Anti-crashing safety device - Magnetic encoder with 6 mt. long cable and obstacle detection - Integrated receiver and courtesy light - Manual unlocking device
637051	LATO220NET/C	EN 12453 IN COMPLIANCE WITH STANDARDS EN 12445	• •	NET230N	For shafts with Ø 25mm	•	- Limit switches - Anti-crashing safety device - Magnetic encoder with 6 mt. long cable - Integrated receiver and courtesy light - Manual unlocking device for emergency manual manouvre by chain

Without control board

COD.	Art.	EN	EN COD ER	Ø	OTHER CHARACTERISTICS
637001	LATO220/EN	• •	•	For shafts with Ø 25mm	- Limit switches - Magnetic encoder with 6 mt. long cable - Manual unlocking device
637011	LATO220/CEN	• •	•	For shafts with Ø 25mm	- Limit switches - Magnetic encoder with 6 mt. long cable - Manual unlocking device - Manual device for emergency manual manouvre by chain

Control board to complete the installation: control board cod. 677610 art. NET230N/C (with box)



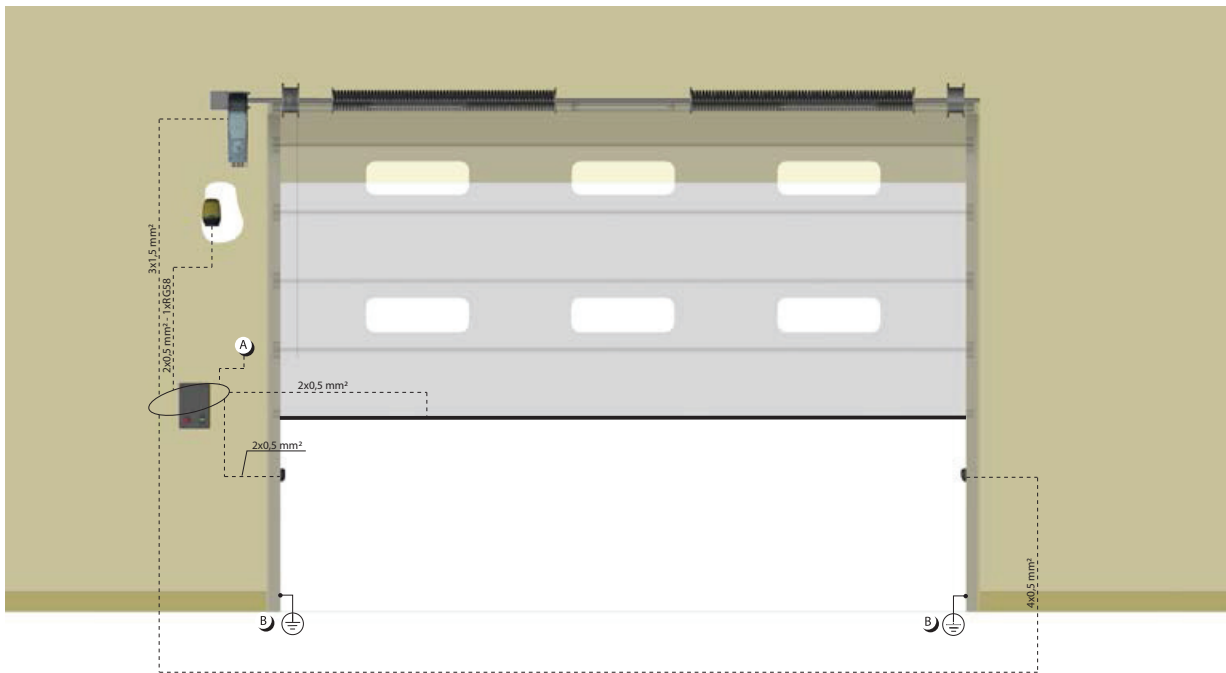
400RR 400V a.c. operators without control board, with limit switches and encoder

COD.	Art.	EN	EN COD ER	Ø	OTHER CHARACTERISTICS
637031	LATO400EN	• • •	•	For shafts with Ø 25mm	- Manual unlocking device - Magnetic encoder with 6 mt. long cable
637041	LATO400CEN	• • •	•	For shafts with Ø 25mm	- Manual unlocking device - Manual unlocking device for emergency manual manouvre by chain - Magnetic encoder with 6 mt. long cable

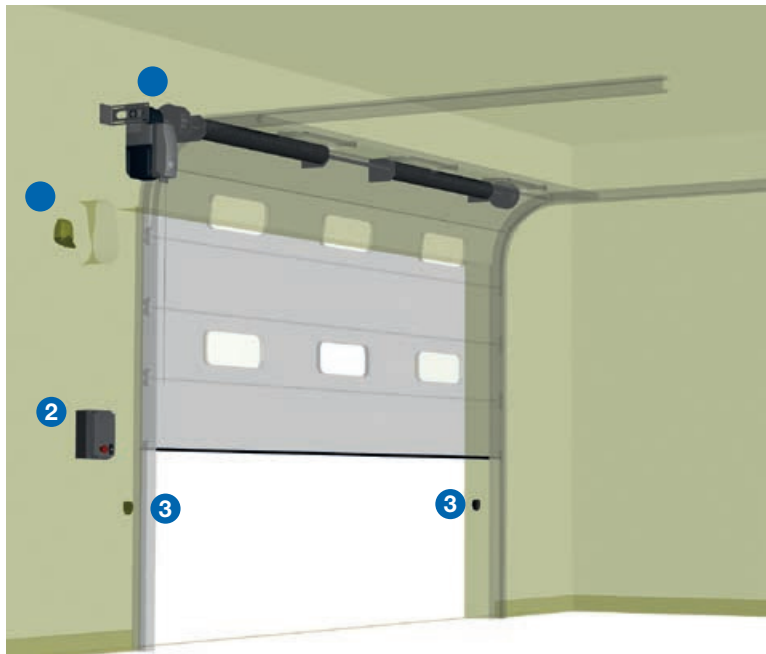
Control board to complete the installation: control board cod. 677140 art. NET400RR/C (with box)



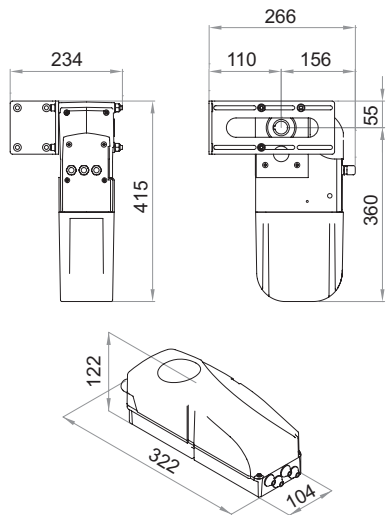
TECHNICAL INFO	220NET - 220/EN - 220/CEN - 220NET/C	400EN - 400CEN
Motor power supply (V)	230 AC ± 10 % (50/60 Hz)	400 AC ± 10 % (50/60 Hz)
Maximum power absorption (W)	500	900
Max thrust (N)	62	104
Duty cycle (cycles/hours)	14	35
N. max cycles in 24h.	180	240
Built-in capacitor (µF)	18	/
Operating temperature (°C)	-20 ÷ 40	-20 ÷ 40
Motor thermal protection (°C)	150	140
Output shaft speed (rpm)	22,4	22,4
Weight with packing (Kg)	12	12
Protection degree	IP44	IP44



EXAMPLE OF A TYPICAL INSTALLATION



DIMENSIONS



1 Cod. 637001
Art. LATO220/EN
Operator for sectional doors, folding doors and industrial sliding doors

2 Cod. 677610
Art. NET230N/C
Universal digital control board for 1 or 2 operators, 230V, with or without magnetic encoder (with box)

2 Cod. 679180
Art. 100GP
Buttons wired cover

3 Cod. 662044
Art. LINEAR
Pair of adjustable photocells (180°) with possibility of synchronized operating. Range 20 Mt

1 Cod. 661062
Art. LED230AI
Led flashing light 230V with built-in antenna 433Mhz

Cod. 668010
Art. 127
Warning sign

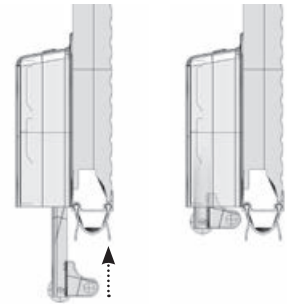
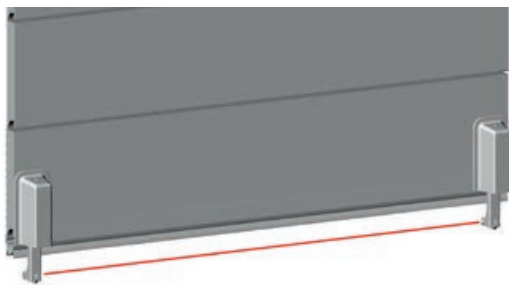
SPECIFIC ACCESSORIES

	Cod. 639430 Art. LAC19 Key+Pinion 1/2" Z=19 + shaft extension
	Cod. 639410 Art. L19 Key+Pinion 1/2" Z=19
	Cod. 639010 Art. 800C/TEN Chain tightener
	Cod. 639500 Art. CG 25 mt. genoise chain
	Cod. 662070 Art. 104SEZ Pair of patented system photocells for the total protection of sectional doors: to avoid impact measurements, as required by En standards

	Cod. 639030 Art. 800C/CZ38 Key+Pinion 1/2" Z=38
	Cod. 639450 Art. LBA25 Socket for cable coiler shaft Ø=25,4
	Cod. 639020 Art. 800C/F Chain anchoring brackets
	Cod. 639530 Art. LATO/SF Unlocking device kit for LATO. To be used with BLINDOS or LATOM
	Cod. 639520 Art. micro Save-spring micro switch

	Cod. 639000 Art. 800C/ACC Joint, chain (mt. 2)
	Cod. 639440 Art. LBA40 Socket for cable coiler shaft Ø=40
	Cod. 639420 Art. LE Fixing plate
	Cod. 639480 Art. LATOM Unlocking handle

EXAMPLE OF INSTALLATION OF SAFETY PHOTOCELLS ART. 104SEZ



OTHER ACCESSORIES

	Cod. 677610 Art. NET230N/C Universal digital control board for 1 or 2 operators, 230V, with or without magnetic encoder (with box)		Cod. 677140 Art. 400RR/C Digital control board three-phase 400V or single phase 230V for sliding gates (with box)		Cod. 679180 Art. 100GP Buttons wired cover
	Cod. 661062 Art. LED230AI Led flashing light 230V with built-in antenna 433Mhz		Cod. 672580 Art. TR2 Remote control Black version art. TR2N also available (page 118)		Cod. 672590 Art. TR4 Remote control Black version art. TR4N also available (page 118)
	Cod. 662020 Art. 104MINILUX Pair of surface mounted photocells. Range 20 mt		Cod. 662030 Art. 104LUX Pair of adjustable (15°) surface mounted photocells		Cod. 662043 Art. LINEAR/B Pair of adjustable photocells (180°) with tx supplied by a LiOn battery. Range 7/15 Mt
	Cod. 681060 Art. COVER Vandal-proof aluminium cover for art. LINEAR and LINEAR/B		Cod. 663060 Art. KYO Aluminium vandal-proof keyswitch, flush mounted.		Cod. 663280 Art. DIGIRAD Wireless keypad
	Cod. 663270 Art. DIGINET Hardwired keypad for BUS connections to MASTER devices of range DE@NET (NET24N, NET230N, MASTERNET)		Cod. 681020 Art. MASTERNET Interface receiver for BUS devices. Not necessary for control boards art. NET24N and NET230N		Cod. 665000 Art. BLINDOS Safety enclosure to place external unlocking device handle